



# BASEMENT WINDOW SYSTEMS

## EasyBuck™ Assembly

To download instructions for later viewing, go to the File Menu, then Save As... and save to desired location.

### Welcome to the EasyBuck™ Assembly Section

First, separate the Sill and Jamb parts. Jambs are the same for both sides, with female slots and attached buck nuts. Sill is the same on both the top and bottom and has a male tab.

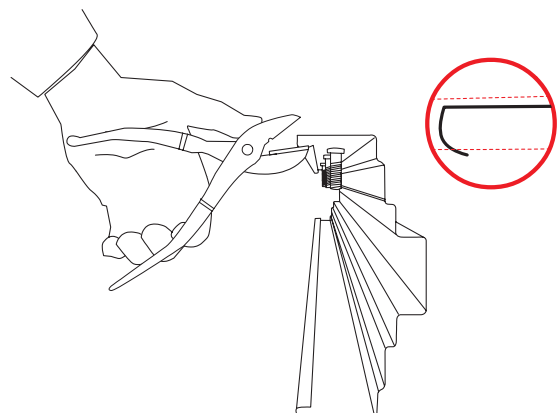
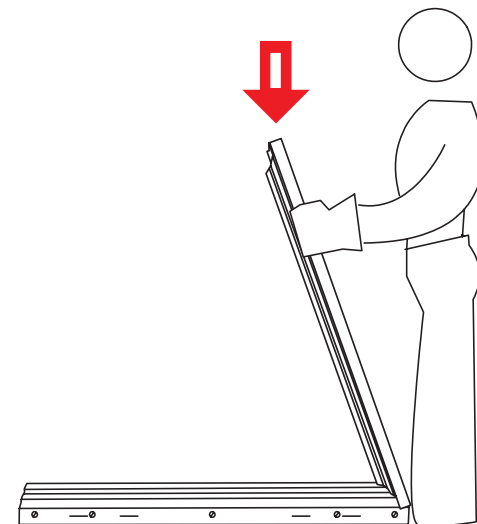
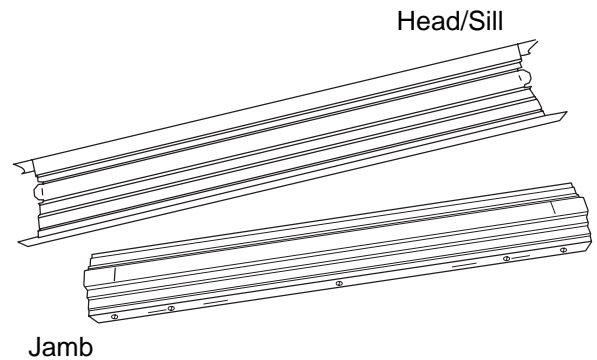
Next, lay Jamb on a flat surface.

Tilt Sill at a 45 degree angle and insert end tab into Jamb slot using downward pressure.

Return Sill to a vertical 90 degree angle.

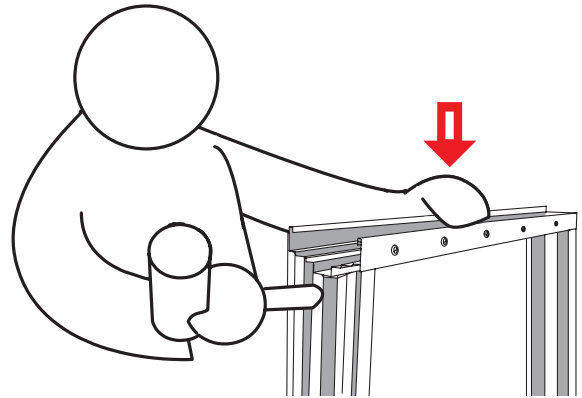
Repeat process on opposite end of Jamb using remaining Sill.

Before installing remaining Jamb, make sure that corners of the Jamb are tucked slightly to allow for overlap from Sill.

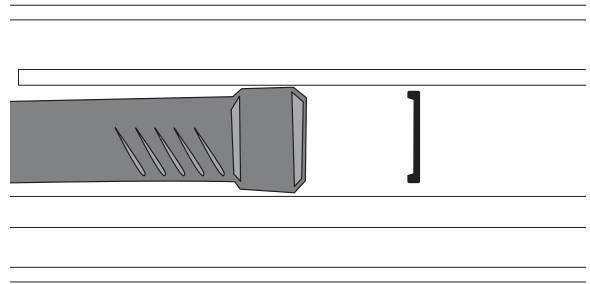


Making sure that buck nuts on both Jamb are on the same side, apply downward pressure on Jamb. Use the end of a mallet to align Sill tab with Jamb slot.

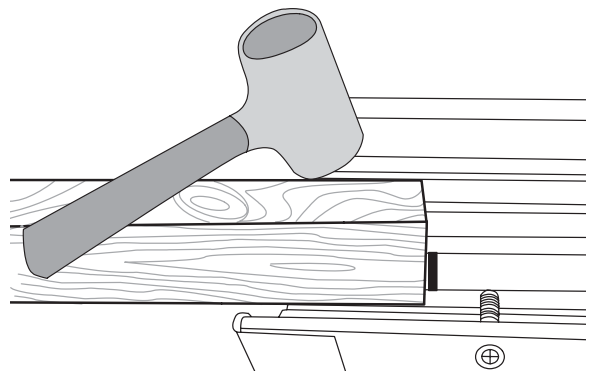
Once aligned, insert Sill tab into Jamb slot making sure Sill tab remains upright.



Use end of a mallet to straighten tab back to a vertical alignment of 90 degrees.

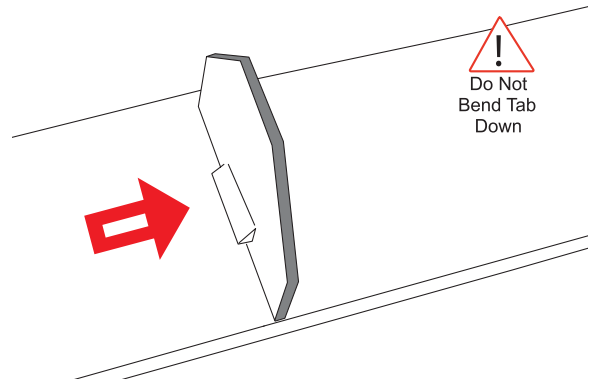


Place a small block of 2X4 wood in Jamb channel. Butt against the male tab which has been pushed through and hammer.

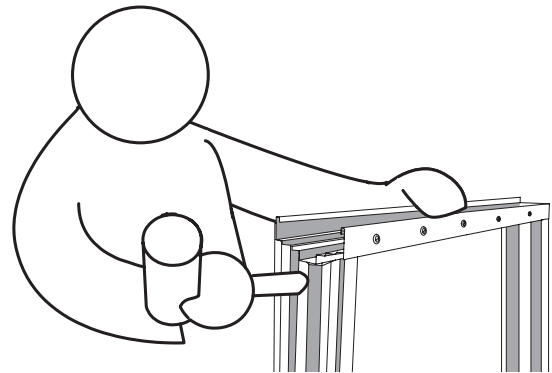


Be sure to look for the tooth on the male tab, which will kick out and lock in place leaving tab vertical.

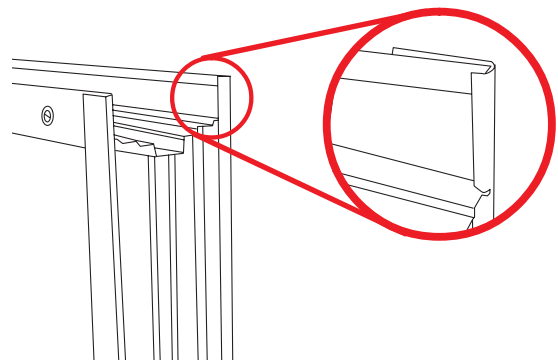
 **ALERT: DO NOT BEND TAB DOWN**



Tap outer edge of Sill into place with mallet, making sure that Sill corner wrap is overlapping Jamb wrap, and Jamb wrap is channeled in Sill alignment notch.

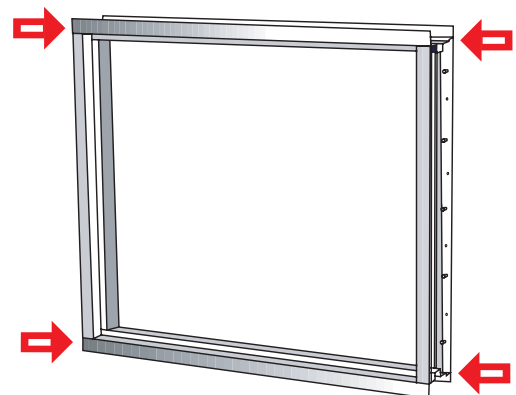


Be sure that you have proper overlap and alignment of Sill and Jamb.



Repeat the previous steps on the opposite end of Sill. Lift and rotate entire frame and repeat these steps again making sure all four corners are properly seated.

Now you have completed the EasyBuck™ Assembly and are ready to go on to the Bracing Section.



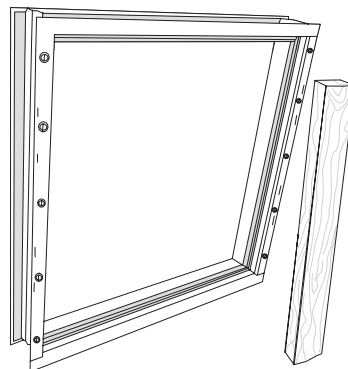


# BASEMENT WINDOW SYSTEMS

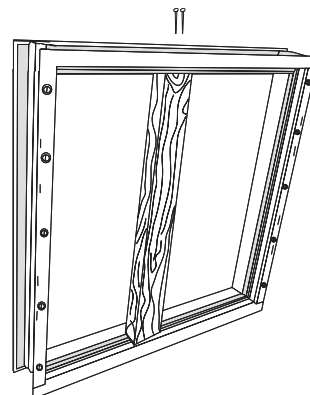
## Bracing Section

### Welcome to the Bracing Section

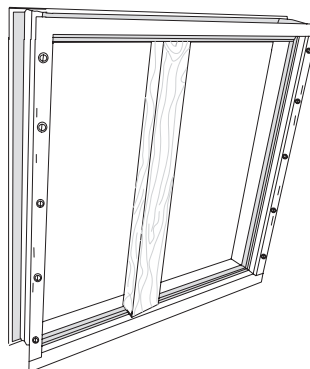
When bracing a Boman Kemp 4040 window buck, cut a 2X4 to 48 $\frac{1}{4}$ " and place in the center of window buck.



Nail through center of head into wood brace on both the top and bottom of buck for delivery to job site.



You are now ready to move on to the appropriate Install Section.





# BASEMENT WINDOW SYSTEMS

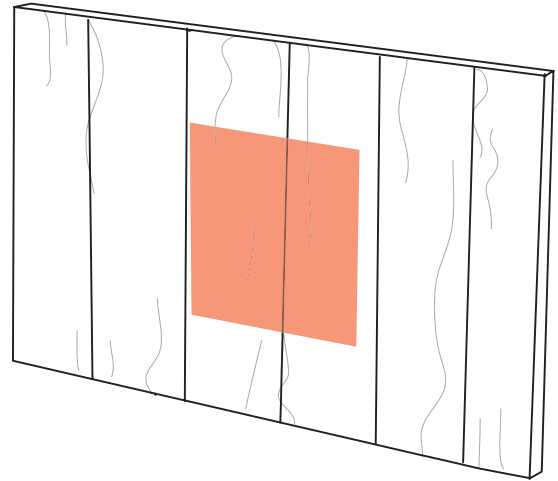
## Wood Form Section

### Welcome to the Wood Form Install Section

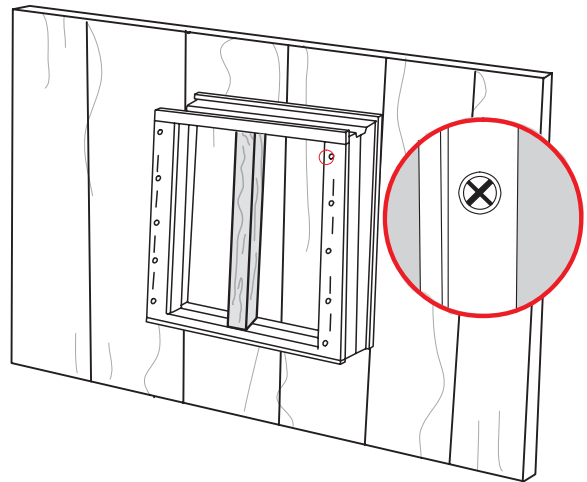
Once one side of wood form is installed, locate area for window.



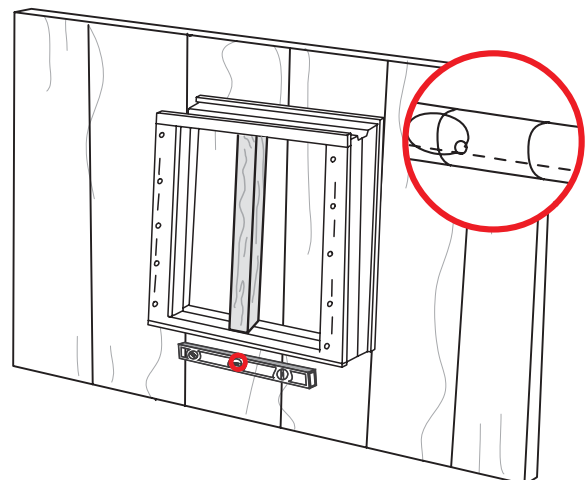
**ALERT:** BUCK SHOULD BE BRACED WITH 2X4 BEFORE INSTALLATION.



With buck screws facing out, attach one corner of buck to wood form making sure the bottom of the buck is no more than 40" from the floor for Egress. See Egress Section for complete IRC 2000 code.



With one corner attached to the wood form, use that area to pivot the Easybuck™ frame until it is level.

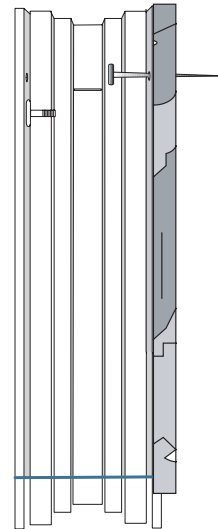


Basement Egress Windows Made Easy!

[www.boman-kemp.com](http://www.boman-kemp.com)

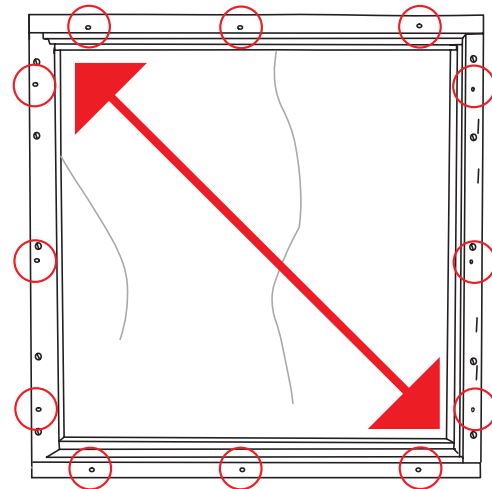
Pound 1<sup>st</sup> nail on top of buck.

Check level again before setting 2<sup>nd</sup> nail on top.



Once you are level, drive remaining nails – three on each side. Upon attachment, make one final check for squareness by cross measuring the frame.

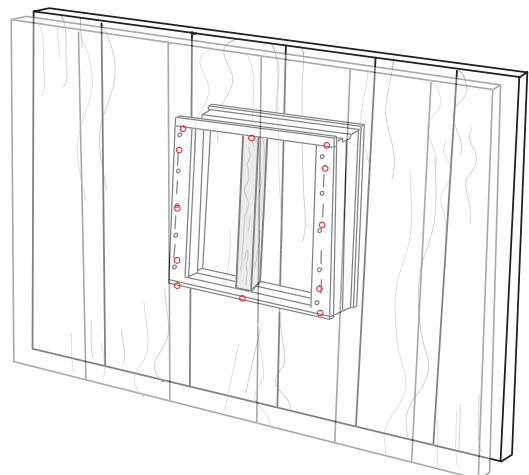
Next, nail inside.



Once the second wood form is in place, locate buck in wall and nail thru from outside of wood form.

EasyBucks™ are able to withstand normal installation functions such as pouring, pumping, and vibrating.

You are now ready to move onto the Well Install Section.





# BASEMENT WINDOW SYSTEMS

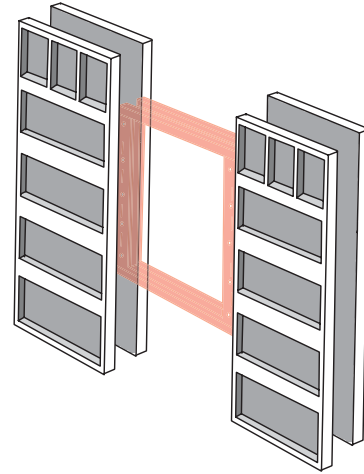
## Aluminum Form Section

### Welcome to the Aluminum Form Install Section

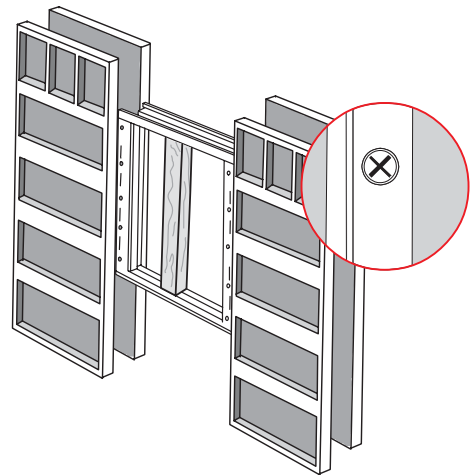
Once aluminum forms are in place, locate where window is to be placed. Insert braced EasyBuck™.



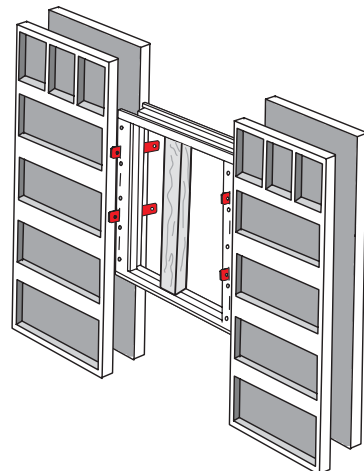
**ALERT: BUCK SHOULD BE BRACED WITH 2X4 BEFORE INSTALLATION**



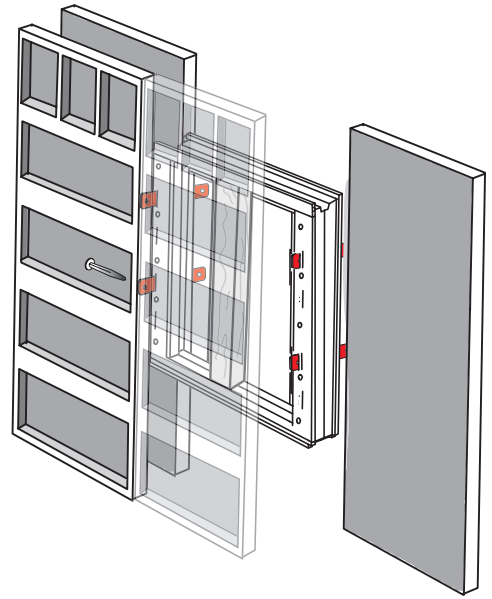
While inserting window buck into wall, make sure that the buck nuts are facing out and that the bottom of the buck is no more than 40" from floor for Egress. See Egress Section for complete IRC 2000 code.



Once tie slots are found on buck, insert tie thru aluminum form and thru buck tie slot to other side of form.

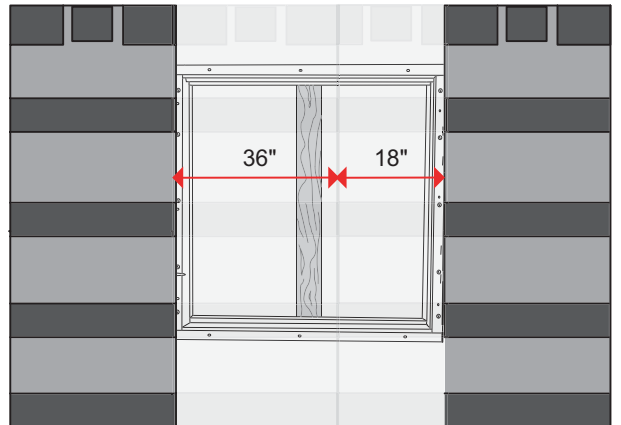


Pin and secure tie.



NOTE: STANDARD BOMAN KEMP 4040 WINDOW  
REQUIRES A 36" AND 18" FILLER PANEL.

The window is now ready for wall pour.







# BASEMENT WINDOW SYSTEMS

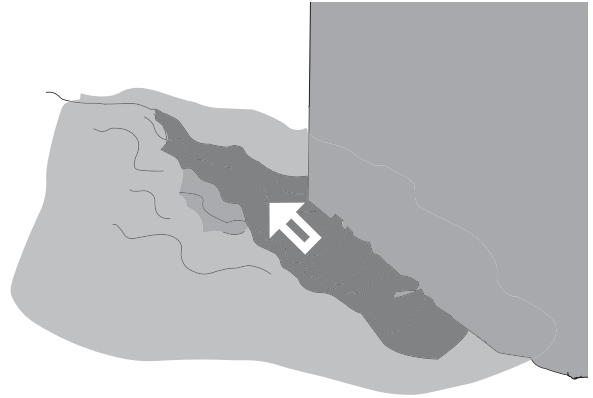
## Retro-Fit Section

### Welcome to the Retro Fit Install Section

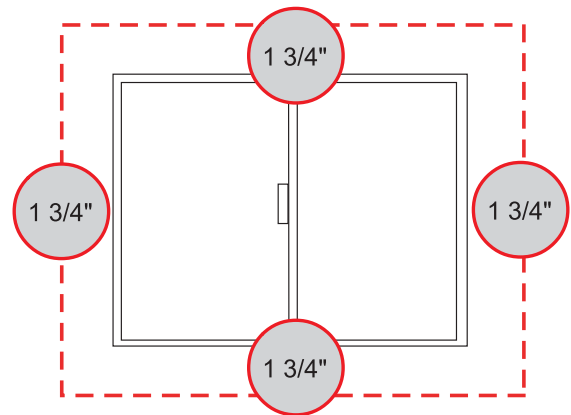


**ALERT:** BEFORE STARTING A WINDOW RETRO FIT, CONTACT LOCAL MUNICIPALITY FOR PERMITS.

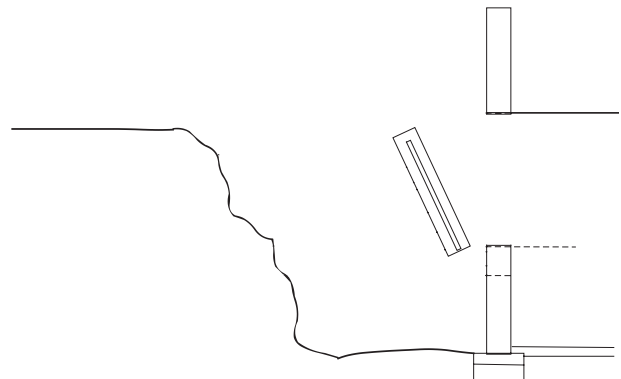
Excavate area for window installation. Remove dirt all the way to foundation's footings, making well install easier.



Whether using a contractor or cutting the hole yourself, outline a square on the wall that is 3½" bigger all the way around the window. Make sure lines are square and 90°.



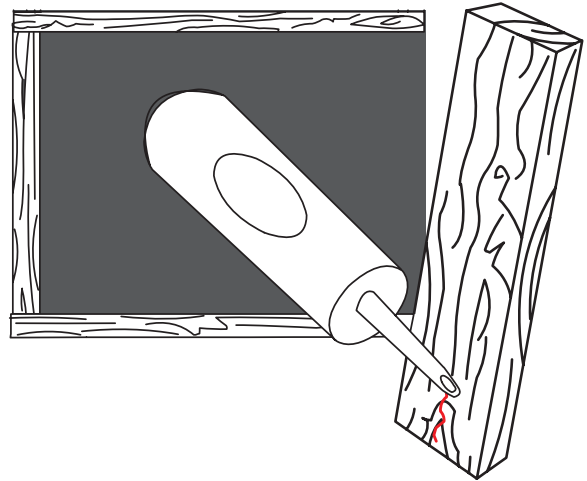
Cut and remove the piece out of the wall.



Basement Egress Windows Made Easy!

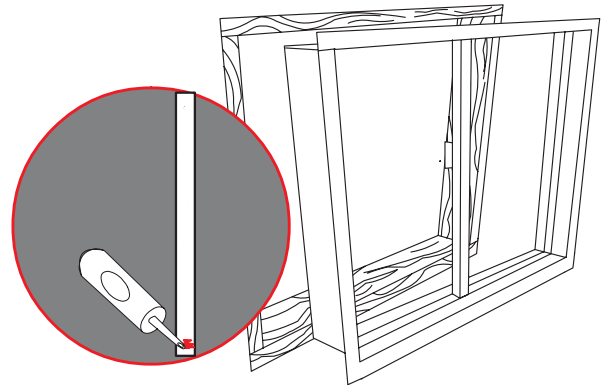
[www.boman-kemp.com](http://www.boman-kemp.com)

Using woualvanized lumber, build a frame for the window to sit in. Secure the wood using silicone. Once silicone is dry use concrete fasteners to secure lumber properly.

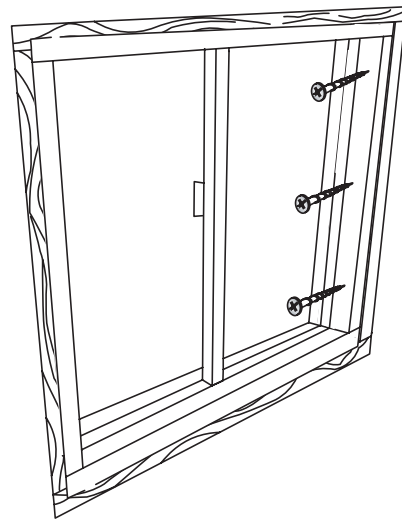


Anchor locations. Fasten into concrete opening with concrete fasteners.

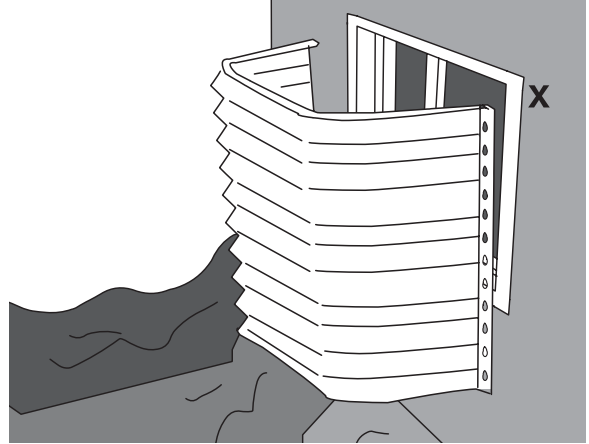
Place window in lumber frame preparing each inside edge first with silicone.



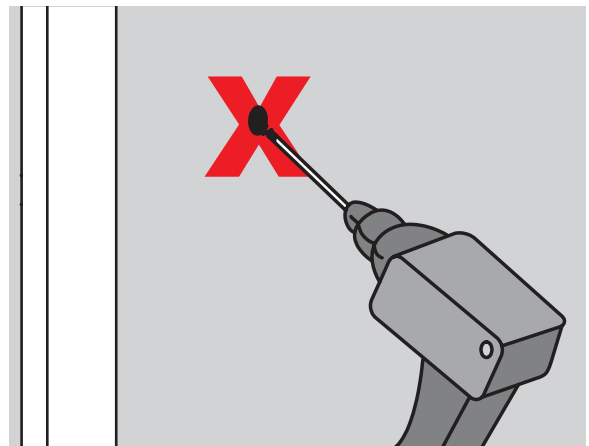
Using 1½" galvanized screws, continue securing windows in wood frame using the holes provided on window frame.



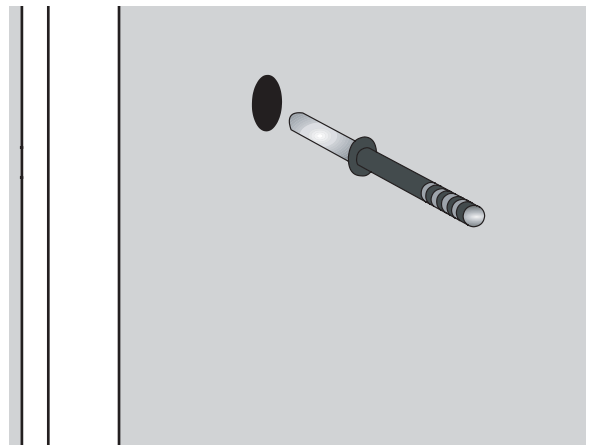
Mount well on wall allowing 12" below the window for proper drainage. Note: If drain is exposed during excavation, see drainage section for proper drain installation.



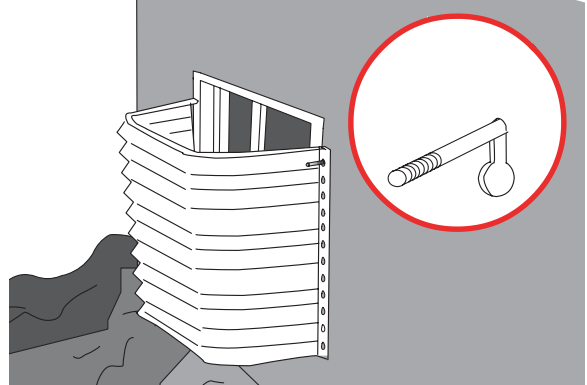
Once window is installed verify measurement of well, and mark first hole for mounting and drill hole out.



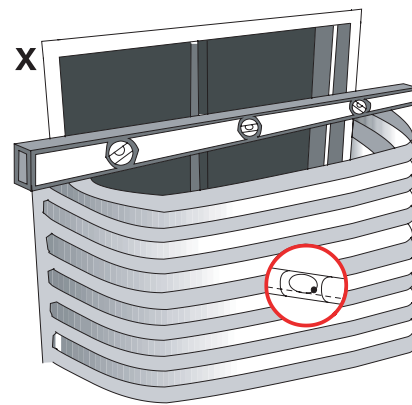
Insert an expansion bolt in the hole using a hammer.



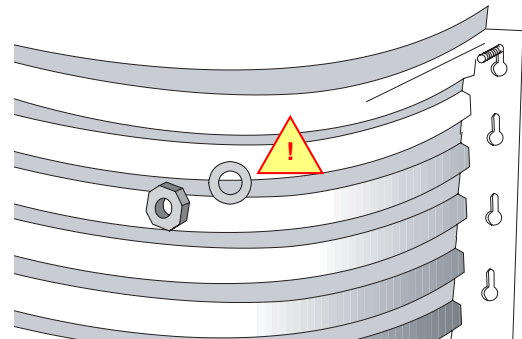
Line up the top mounting hole with the expansion bolt, and hang well on wall. While still holding the well, making sure that the expansion bolt has slid securely into place, use a level to mark the placement of the other bolts on the wall.



Be sure to mark the X for drilling at the top of the mounting eyelet, so that the well remains level. Remove the well after holes have been marked. Drill the X's for the mounting holes just as the first one was done. When finished, insert expansion bolts in each hole drilled and mount well using a washer and a nut.



For proper mounting use the top two holes on the well and then every 10" down the well. Make sure that the bottom hole has a screw so that all four corners are securely fastened during backfill.



Use of washers is critical!

You have now completed the Wall Mount Well Install.

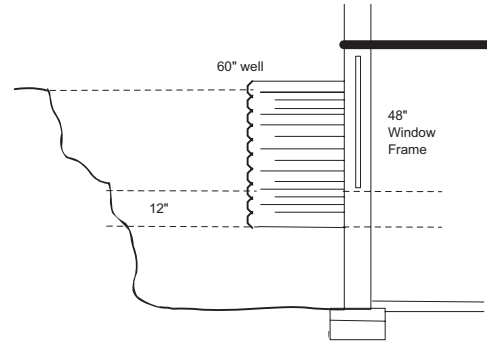


# BASEMENT WINDOW SYSTEMS

## Well Install Buck Mount Section

### Welcome to the Well Install Buck Mount Section

Proper side view of how the well can be installed is shown.

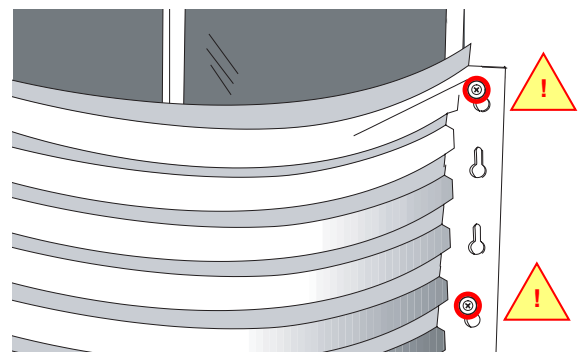
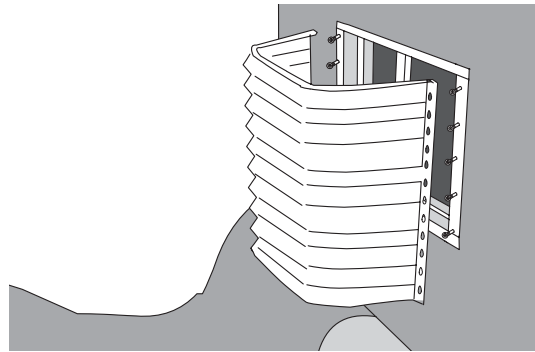


For EasyWell™ buck mount install, simply back out each buck nut on the frame.

Hang well on extended buck nuts, making sure top hole on well is secured on both sides with a buck nut or expansion bolt if well sits higher than the buck frame.

**NOTE WHERE BUCK SCREWS LINE UP.**

Once the EasyWell™ has been set on the buck screws, simply tighten screws to EasyWell™ making sure there are screws in the top two holes of the EasyWell™ and then every 10" down the well. Make sure that the bottom hole has a screw so that all four corners are securely fastened during backfill.



Use of washers is critical!

You have now completed the Buck Mount Well Install.



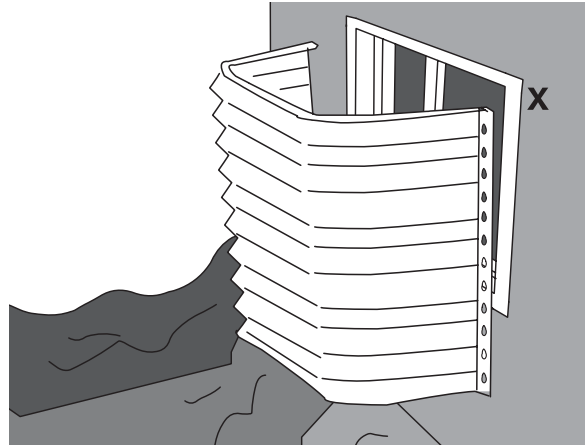
# BASEMENT WINDOW SYSTEMS

## Well Install Wall Mount

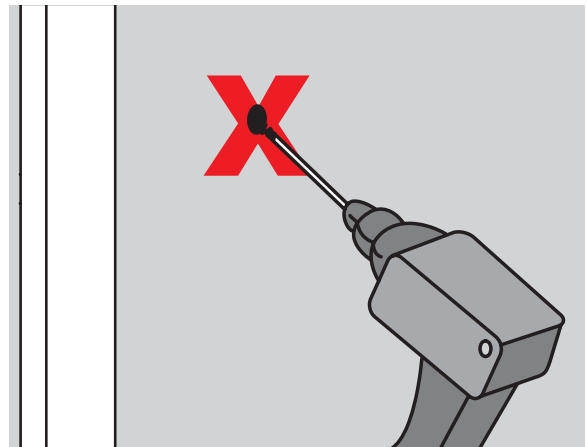
### Welcome to the Well Install Wall Mount Section

Mount well on wall allowing 12" below the window for proper drainage.

NOTE: IF DRAIN IS EXPOSED DURING EXCAVATION, SEE DRAINAGE SECTION FOR PROPER DRAIN INSTALLATION.

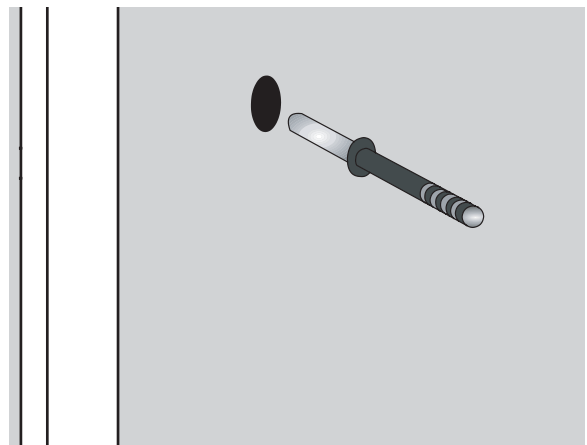


Once window is installed verify measurement of well, and mark first hole for mounting and drill hole out.



Insert an expansion bolt in the hole using a hammer.

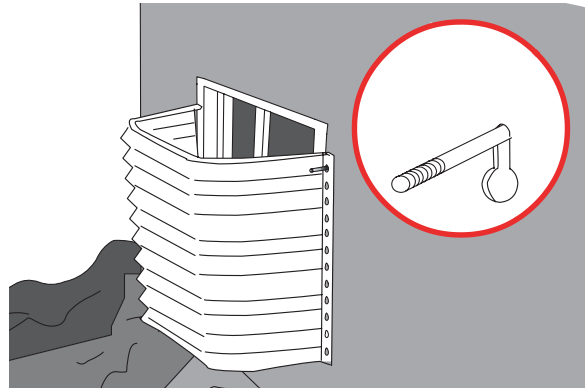
Line up the top mounting hole with the expansion



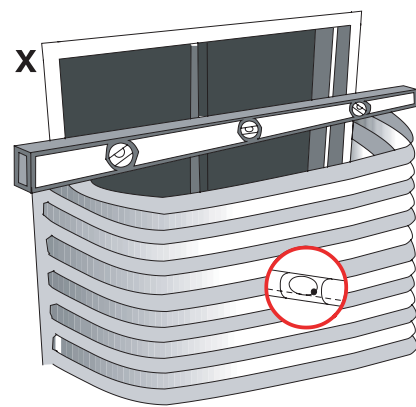
Basement Egress Windows Made Easy!

[www.boman-kemp.com](http://www.boman-kemp.com)

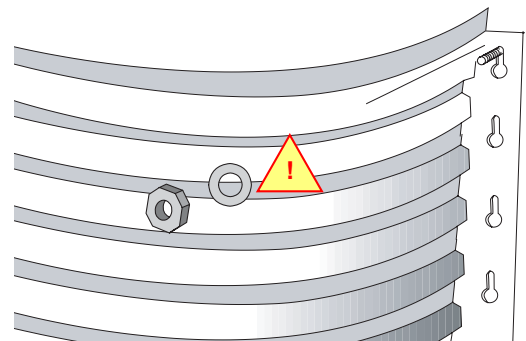
bolt, and hang well on wall. While still holding the well, making sure that the expansion bolt has slid securely into place, use a level to mark the placement of the other bolts on the wall.



Be sure to mark the X for drilling at the top of the mounting eyelet, so that the well remains level. Remove the well after holes have been marked. Drill the X's for the mounting holes just as the first one was done. When finished, insert expansion bolts in each hole drilled and mount well using a washer and a nut.



For proper mounting use the top two holes on the well and then every 10" down the well. Make sure that the bottom hole has a screw so that all four corners are securely fastened during backfill.



Use of washers is critical!

You have now completed the Wall Mount Well Install.



# BASEMENT WINDOW SYSTEMS

## Drainage / Backfill Section

### Welcome to the Drainage / Backfill Section

Before starting, note that not all states are required by code to install footing drains. This may not apply to all applications. Here is a proper side view of a drain, but this is simply one way to do a drain install.

During foundation drain tile install, simply splice pipe under window well location and install a T-joint underneath it.

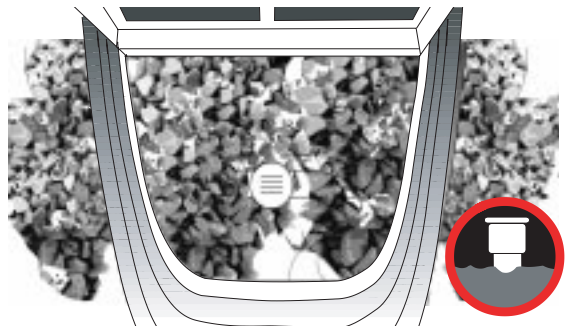
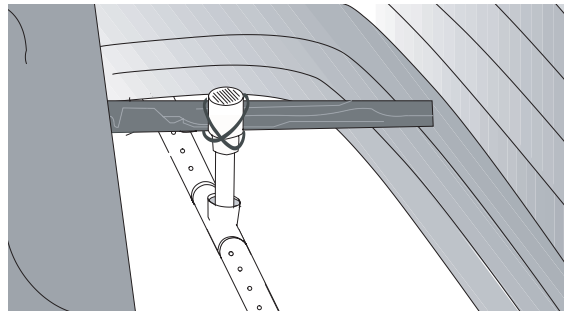
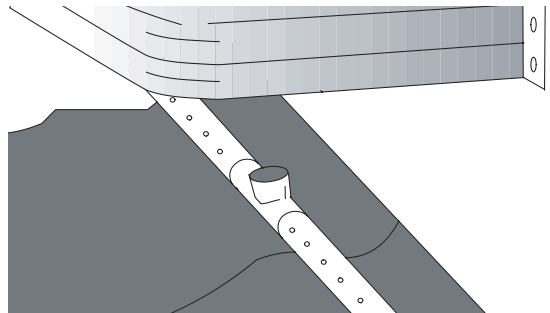
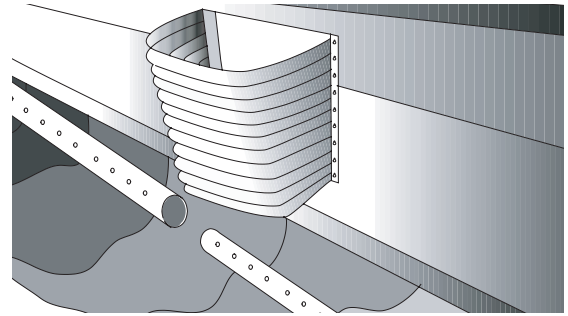
Once T-joint is installed, in-lay a drain piece that will end up sitting 4" to 6" below the sill of the window.

Use a 2X4 and a piece of wire to secure the drain pipe for back filling. Once secure, proceed with back fill until it is 4" to 6" below the sill.

Back fill with a 1" stone or less, depending on soil density in your area. Check with local municipality for soil charts.

Drain should sit in the center of the well and should be kept clear of debris.

You are now ready to move on to the Window Install Section.





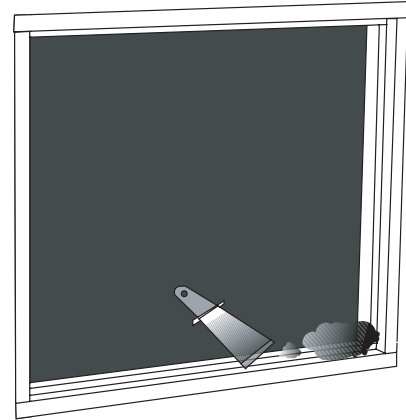


# BASEMENT WINDOW SYSTEMS

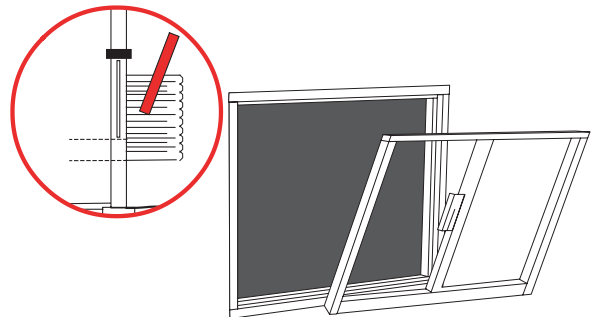
## Window Install Section

### Welcome to the Window Install Section

Make sure window buck is clear of all debris.  
Clean seal with a putty knife.

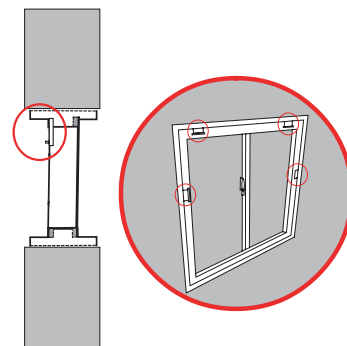


Install window from the outside. Install window over sill using fins located on bottom of window frame.



Lock window frame into place from the inside using window locking tabs.

You have now completed the Window Installation.



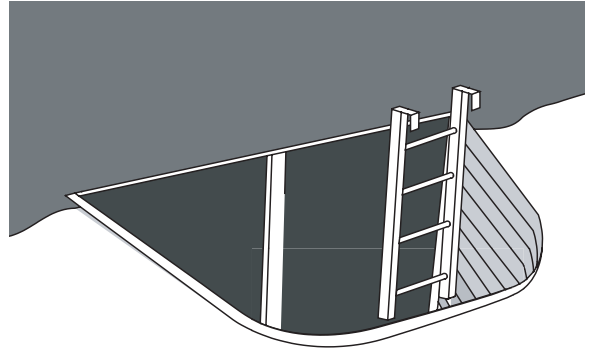


# BASEMENT WINDOW SYSTEMS

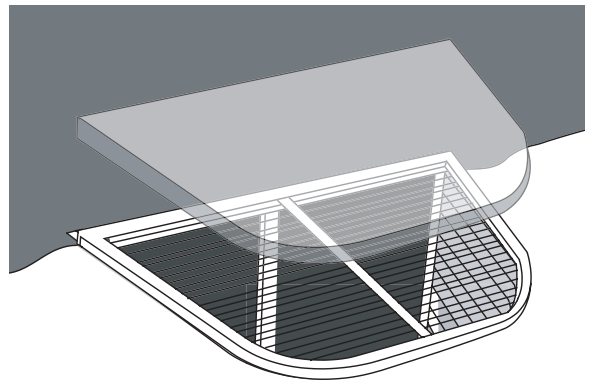
## Safety Section

### Welcome to the Safety Section

To meet IRC 2000 Egress Code, attach ladder to well with sheet metal screws using pre-drilled holes on ladder.



Prevent accidental fall-ins with Boman Kemp safety grates and clear lexan covers. Safety grates and covers prevent children, animals, debris, and water from entering area well.





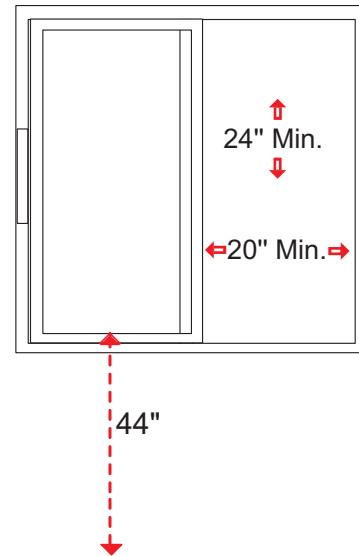
# BASEMENT WINDOW SYSTEMS

## Egress / IRC 2000 Section

### Welcome to the Egress / IRC 2000 Section

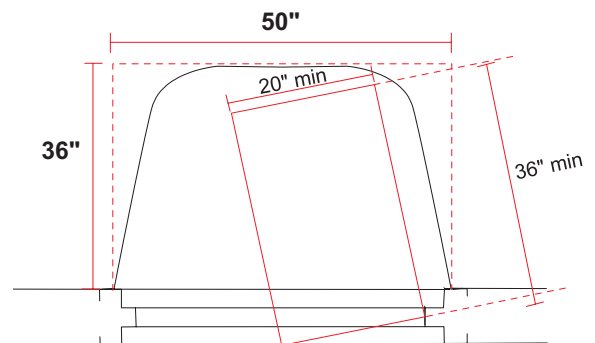
In order to meet IRC 2000 Egress Code, the window must not be more than 44" up from the ground.

The window opening must be at least 20" wide and at least 24" high, with a net clear area of 5.7 sq. ft. The Boman Kemp 4040 window meets and exceeds egress code with a net clear area of 7.027 sq. ft.



IRC 2000 requires the area inside the area well to be a minimum net clear area of 9 sq. ft.

The Boman Kemp 4040 window meets and exceeds code with a net clear area of 10.287 sq. ft.



See IRC 2000 Egress Code on next page.

# IRC 2000

## (International Residential Code)

### SECTION R310

## EMERGENCY ESCAPE AND RESCUE OPENINGS

#### **R310.1 Emergency escape and rescue required.**

Basements with habitable space and every sleeping room shall have at least one able to open emergency escape and rescue opening. Where basements contain one or more sleeping rooms, emergency egress and rescue opening shall be required in each sleeping room, but shall not be required in adjoining areas of the basement. Where emergency escape and rescue openings are provided they shall have a sill height of not more than 44 inches (1118 cm) above the floor. Where a door opening having a threshold below the adjacent ground elevation serves as an emergency escape and rescue opening and is provided with a bulkhead enclosure, the bulkhead enclosure shall comply with Section 310.3. The net clear opening dimensions required by this section shall be obtained by the normal operation of the emergency escape and rescue opening from the inside. Emergency escape and rescue opening with a finished sill height below the adjacent ground elevation shall be provided with a window well in accordance with Section R310.2.

#### **R310.1.1 Minimum opening area.**

All emergency escape and rescue openings shall have a minimum net clear opening of 5.7 square feet (0.530 m<sup>2</sup>).

**Exception:** Grade floor openings shall have a minimum net clear opening of 5 square feet (0.465 m<sup>2</sup>).

#### **R310.1.2 Minimum opening height.**

The minimum net clear opening height shall be 24 inches (610 mm).

#### **R310.1.3 Minimum opening width.**

The minimum net clear opening width shall be 20 inches (508 mm).

#### **R310.1.4 Operational constraints.**

Emergency escape and rescue openings shall be operational from the inside of the room without the use of keys or tools.

#### **R310.2 Window wells.**

The minimum horizontal area of the window well shall be 9 square feet (0.84 m<sup>2</sup>), with a minimum horizontal projection and width of 36 inches (914 mm). The area of the window well shall allow the emergency escape and rescue opening to be fully opened.

**Exception:** The ladder or steps required by Section R310.2.1 shall be permitted to encroach a maximum of 6 inches (152mm) into the required dimensions of the window well.

#### **R310.2.1 Ladder and steps.**

Window wells with a vertical depth greater than 44 inches (1118 mm) shall be equipped with a permanently affixed ladder or steps usable with the window in the fully open position. Ladders or steps required by this section shall not be required to comply with Sections R311.5 and R311.6. Ladders or rungs shall have an inside width of at least 12 inches (305 mm), shall project at least 3 inches (76 mm) from the wall and shall be spaced not more than 18 inches (457 mm) on center vertically for the full height of the window well.

#### **R310.3 Bulkhead enclosures.**

Bulkhead enclosures shall provide indirect access to the basement. The bulkhead enclosure with the door panels in the fully open position shall provide the minimum net clear opening required by Section R310.1.1. Bulkhead enclosures shall also comply with Section R311.5.8.2.

#### **R310.4 Bars, grills, covers and screens.**

Bars, grills, covers, and screens or similar devices are permitted to be placed over emergency escape and rescue openings, bulkhead enclosures, or window wells that serve such openings, provided the minimum net clear opening size complies with Sections R310.1.1 to R310.1.3, and such devices shall be releasable or removable from the inside without the use of a key, tool or force greater than that which is required for normal operations of the escape and rescue opening.